

PRODUCT DESCRIPTION:

- o Light and handy, superior quality: the motor case are pressure-cast with high strength aluminum alloy.
- o Power failure: When the power is failure, pulling the chain by hand may lift the door up, and pulling the clutch lever may let the door down.
- o Low noise, long cycle life: Reduction gear is made in high quality alloy gear, heat treatment & low noise.
- o High power and fast: The motor is optimum-designed, all components of which are made in superior materials, time and energy saving.
- o Easy operation, safety and security: There are several ways of controlling, by using remote controller, hand control, and pulling chain by hand when power is failure. And to keep from breaking in, you could also lock the hand controlling by remote controller.
- o Suitable for: garages, shops, malls, exhibition halls, museums, factories, warehouses and etc

RECOMMENDED ACCESSORIES:



AZ T21 W
Transmitter



AZ RT 43
Receiver



AZ PC 10
Photocell



AZ RFPC 417M
IP Reflector Photocell



AZ RSSB 01
Safety Break



AZ KS 15 A
Key Switch



AZ WLKP 17
Wireless Keypad



AZ FL 19
Flash Lamp



AZ AF LAC 19A
Alarm Flash Lamp



AZ PB 16 A
Push Button

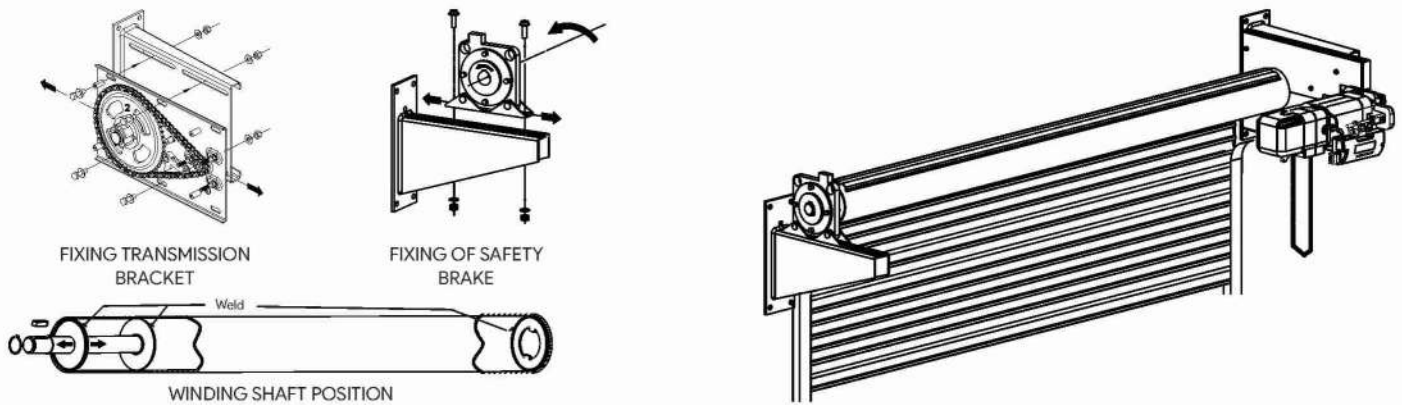


AZ PB IP 65
Water Proof Push Button



AZ RF WIFI 31 A
Wifi Module

INSTALLATION DETAILS :



OPTIONAL INTEGRATION:



FACE
RECOGNITION



FINGER
PRINT



RFID



QR CODE



PASSWORD



IOT



SAFETY
DEVICES

TECHNICAL SPECIFICATIONS:	AZ RSIT 400	AZ RSIT 600
Input Power	220 V - 240 V AC	220 V - 240 V AC
Rated Power	300 W	370 W
Max. Torque	343 Nm	412 Nm
Output Speed	5.5 RPM	5.5 RPM
Lifting Force	400 Kg	600 Kg
Working Time	7 - 8 mins	7 - 8 mins
Tube Diameter	100 mm	100 mm
Protection Class	IP 44	IP 44
Motor Weight	14 Kg	14.5 Kg
Bracket Weight	12.7 Kg	14.5 Kg